



**"Shaping Smiles,
Inspiring Confidence."**



PENTA ORTHODONTICS

ABOUT US

"Penta Orthodontics has seamlessly transformed from its modest inception as a small-scale polymer based medical product manufacturer to a globally respected entity. Through our robust R&D prowess and cutting-edge infrastructure, we have adeptly fostered symbiotic partnerships with esteemed research and dental luminaries. As demand escalates, our strategic sales network expansion spans beyond India, encompassing diverse international markets, affirming our dedication to excellence on a global scale."

"Our primary goal is to create exceptional orthodontic products."

"Our cutting-edge facility is renowned for its top-quality ranking."



WHY CHOOSE US ?

OUR VISION

Our vision is to design, create and customize innovative orthodontic products that help dentists to provide comfort and confidence to their patients.

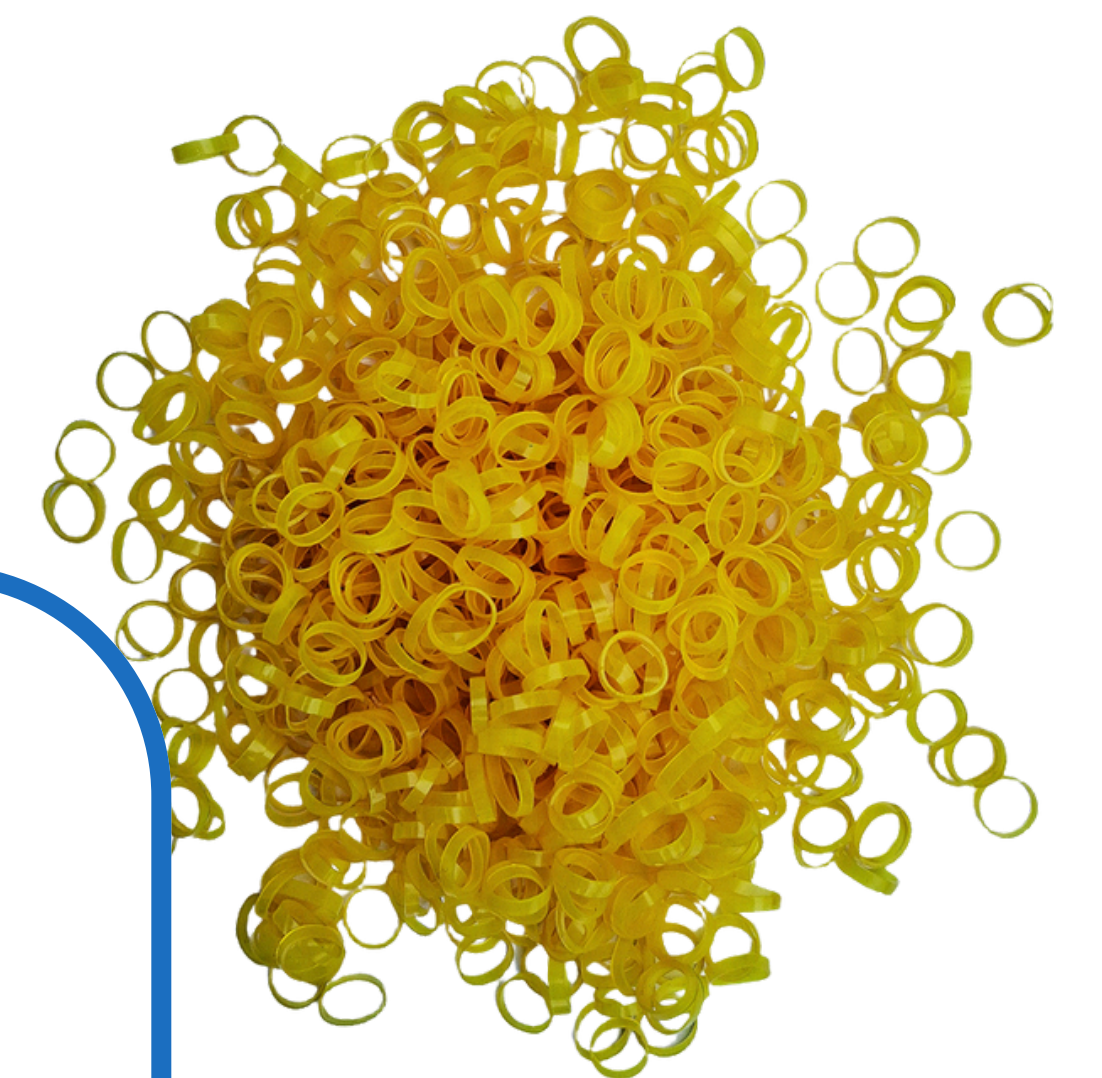
OUR MISSION

Our Mission is to provide orthodontic materials that make dental procedures a pleasant experience.



ORTHODONTIC ELASTICS







- A diverse selection of orthodontic elastics in multiple colors and sizes.
- Provides both functional support and aesthetic choices for orthodontic treatment.
- Available in standard and custom options.
- Designed for comfort, durability, and effective treatment results.



SMILE PACK

ORTHODONTIC ELASTICS

- ▶ 3x elastic stretch capacity.
- ▶ Color-coded for easy identification.
- ▶ Flavored for a pleasant experience.
- ▶ Available in tooth-colored options.

Size & Colour	Force (oz.)	Smile-Force Value	
		30mm	20mm
 Grey 1/8"	2 oz.	3.7 oz.(105g)	3.2 oz.(92g)
 Red 3/16"	3.5 oz.	4.0 oz.(113g)	3.6 oz.(104g)
 Blue 1/4"	3.5 oz.	4.6 oz.(131g)	3.3 oz.(94g)
 Yellow 5/16"	2 oz.	2.6 oz.(74g)	1.6 oz.(47g)
 Green 5/16"	3.5 oz.	3.1 oz.(89g)	1.8 oz.(54g)
 Pink 3/8"	3.5 oz.	2.9 oz.(83g)	1.5 oz.(43g)



Pack of **100** elastics

INTRAORAL ELASTICS

WITH A PACK OF 1000

- ▶ 3x elastic stretch capacity.
- ▶ Color-coded for easy identification.
- ▶ Flavored for a pleasant experience.
- ▶ Available in tooth-colored options.



SIZE	LITE (2.5oz-70g)	MEDIUM (3.5oz-100g)	HEAVY (4.5oz-135g)	EXTRA HEAVY (6.5oz-180g)
1/8				
3/16				
1/4				
5/16				
3/8				

PACK OF 1000

5/8				
1/2				
3/4				











PACK OF 500

EXTRAORAL ELASTICS

WITH A PACK OF 100 ELASTICS

- Provides reliable, precise force for extraoral applications.
- Crafted from medical-grade latex.
- Enhanced with a pleasant flavor



 3/16 5mm 8oz- 230 g	 3/16 5mm 14oz- 400 g
 1/4 7mm 8oz- 230g	 1/4 7mm 14oz- 400g
 5/16 8mm 8oz- 230g	 5/16 8mm 14oz- 400g
 3/8 10mm 8oz- 230 g	 3/8 10mm 14oz- 400 g
 1/2 12mm 8oz- 230 g	 1/2 12mm 14oz- 400 g

ORTHODONTIC ELASTOMERIC LIGATURE TIES

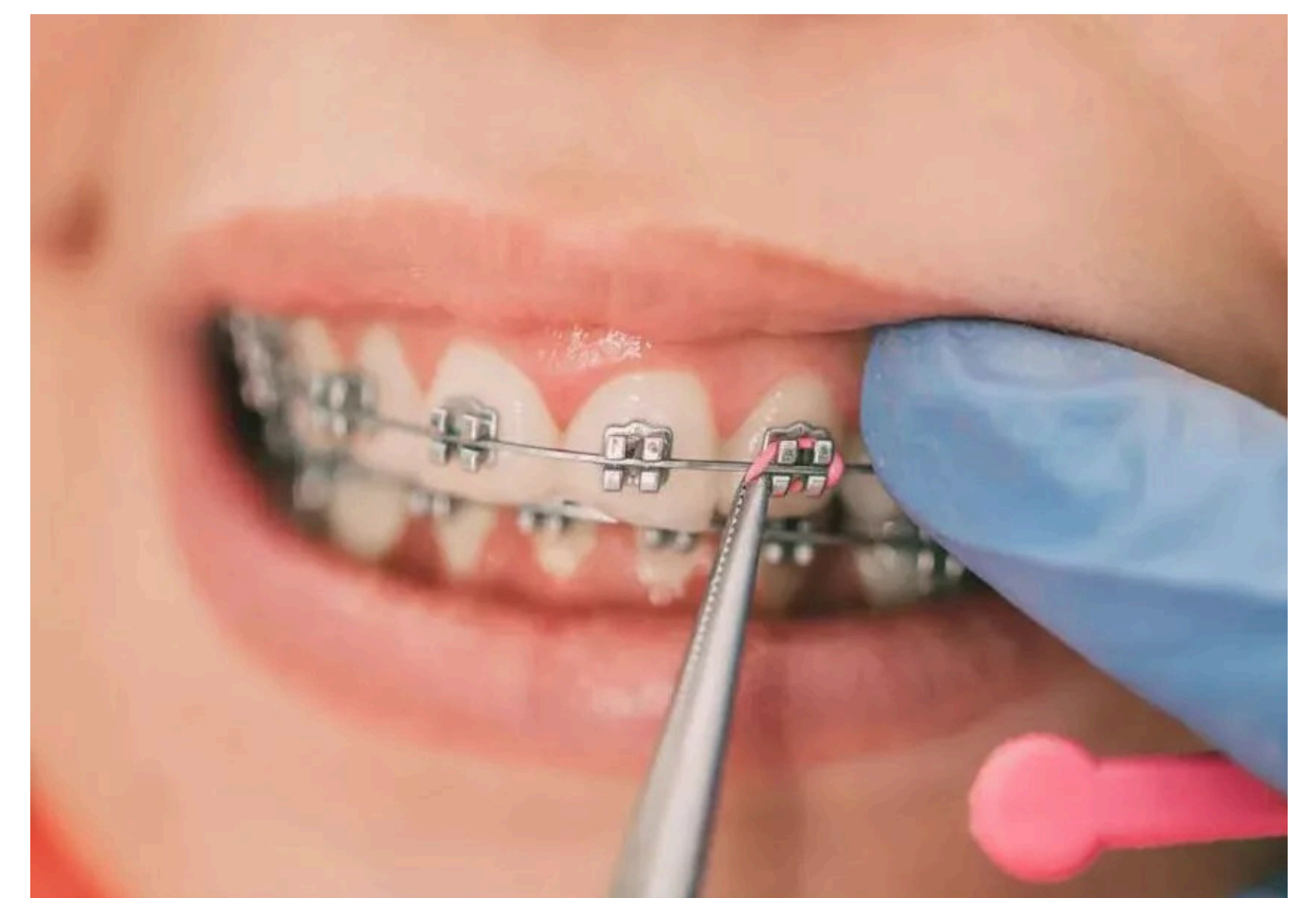
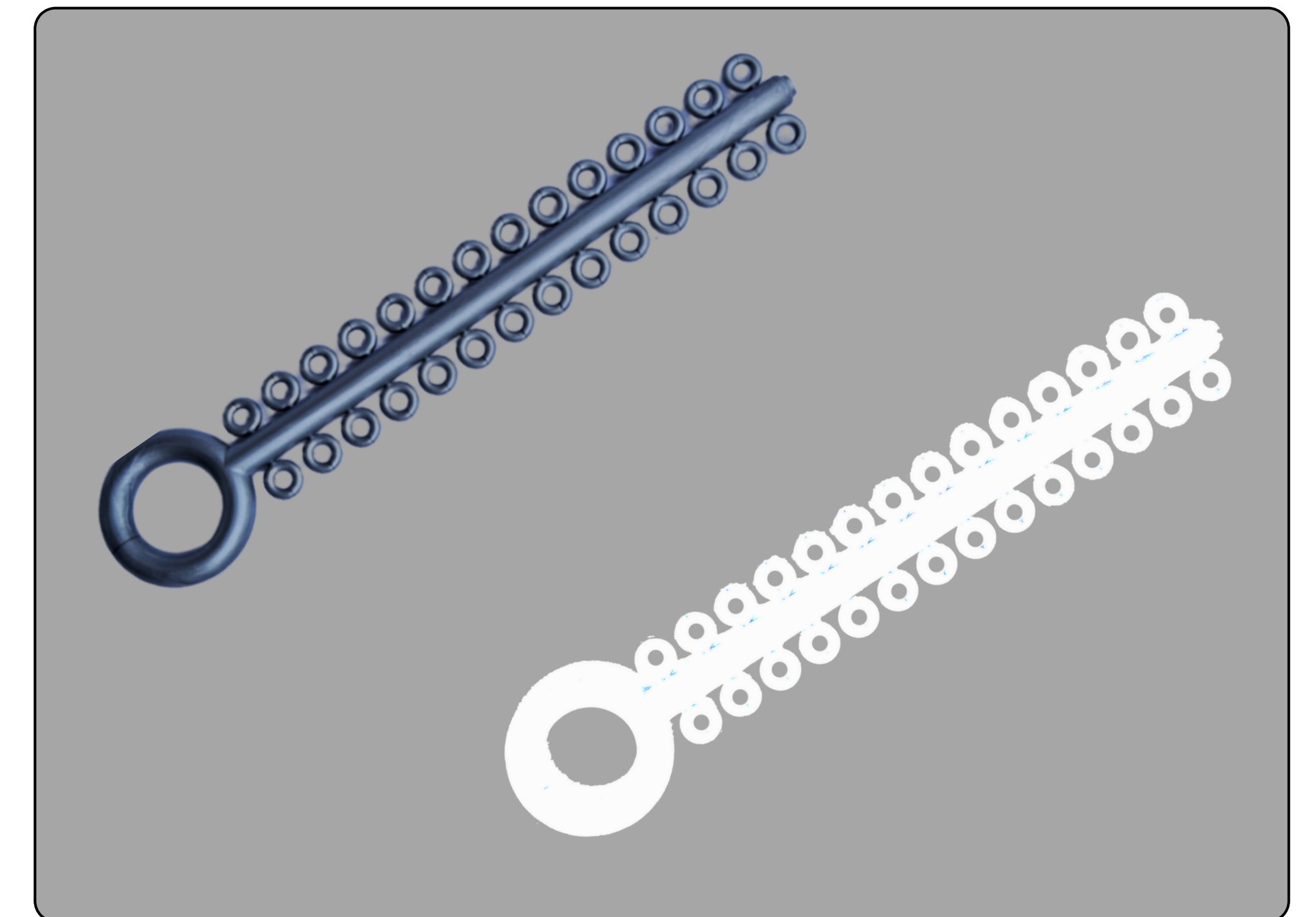
- Made from shape memory polymer
- Tear & Strain resistant
- Non latex Material

28 TIES PER STICK • 36 STICKS PER PACK (1008 TIES)

Available in two colours

CLEAR

GRAY



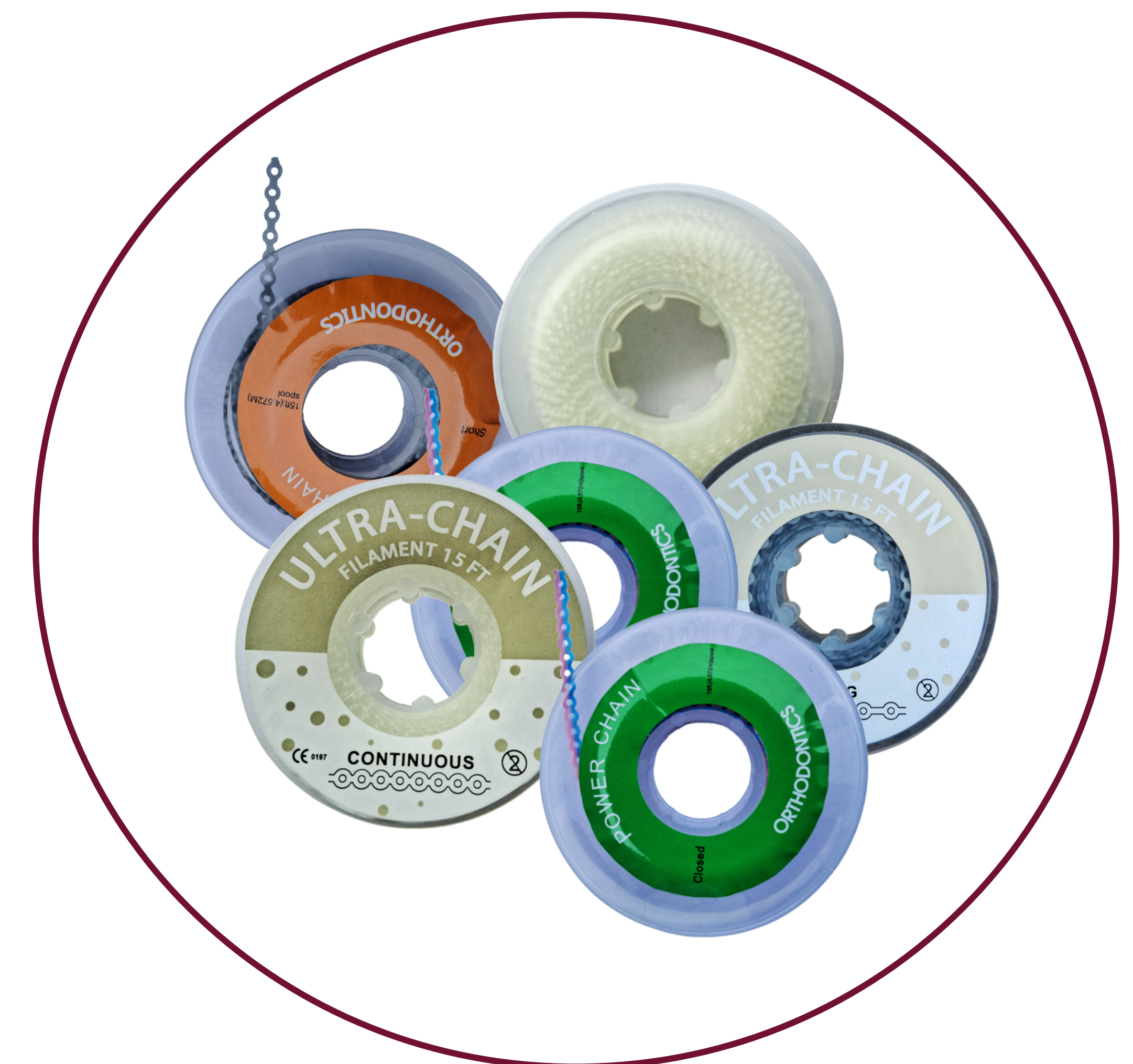
POWER CHAIN

 (Closed)

 (Short)

 continuous(Long)

- Made with shape memory Polymer, offering consistent force.
- Non allergic latex free material.
- Colour - Grey, Clear
- 15 feet length



RELIEF WAX

6 STICK

- Formulated to relieve discomfort by adhering to orthodontics appliances such as braces, wires and to the auxiliary use.
- Relief Wax sticks help smooth and prevent irritation to the gums caused by braces
- Made from natural and medical grade paraffin based waxes



Flavours:

Strawberry / Orange / American Ice Cream Soda

ELASTIC PLACER

- ▶ Designed to help fit and remove elastic bands on brackets
- ▶ Makes placing and removing elastics easy for patients too
- ▶ Available in different colours



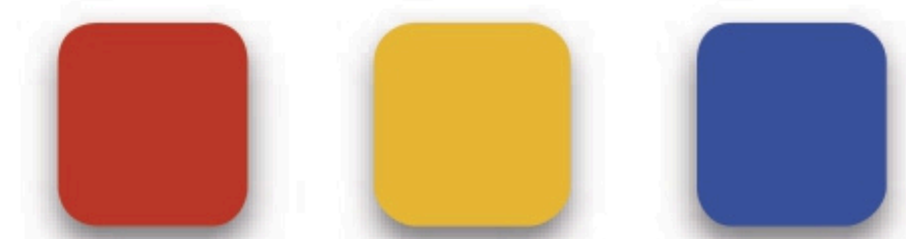
**10 Pieces
in a pack**

CHEWMO ALIGNER REMOVER

- ▶ ERGONOMIC DESIGN
- ▶ EASY & HYGIENIC REMOVAL



Available in 3 colours



CHEWMO

ALIGNER CHEWIES (4 in 1 kit)

- Cylindroid Aligner Chewies: Designed for posterior teeth, especially molars, for optimal seating by conforming to contours.
- Cylindrical Aligner Chewies: Target molar zone, handle strong bite forces, stabilize aligners, engage bite muscles.
- Triangular Prism Aligner Chewies: Focus on aligning front teeth and premolars, apply precise pressure for effective fit



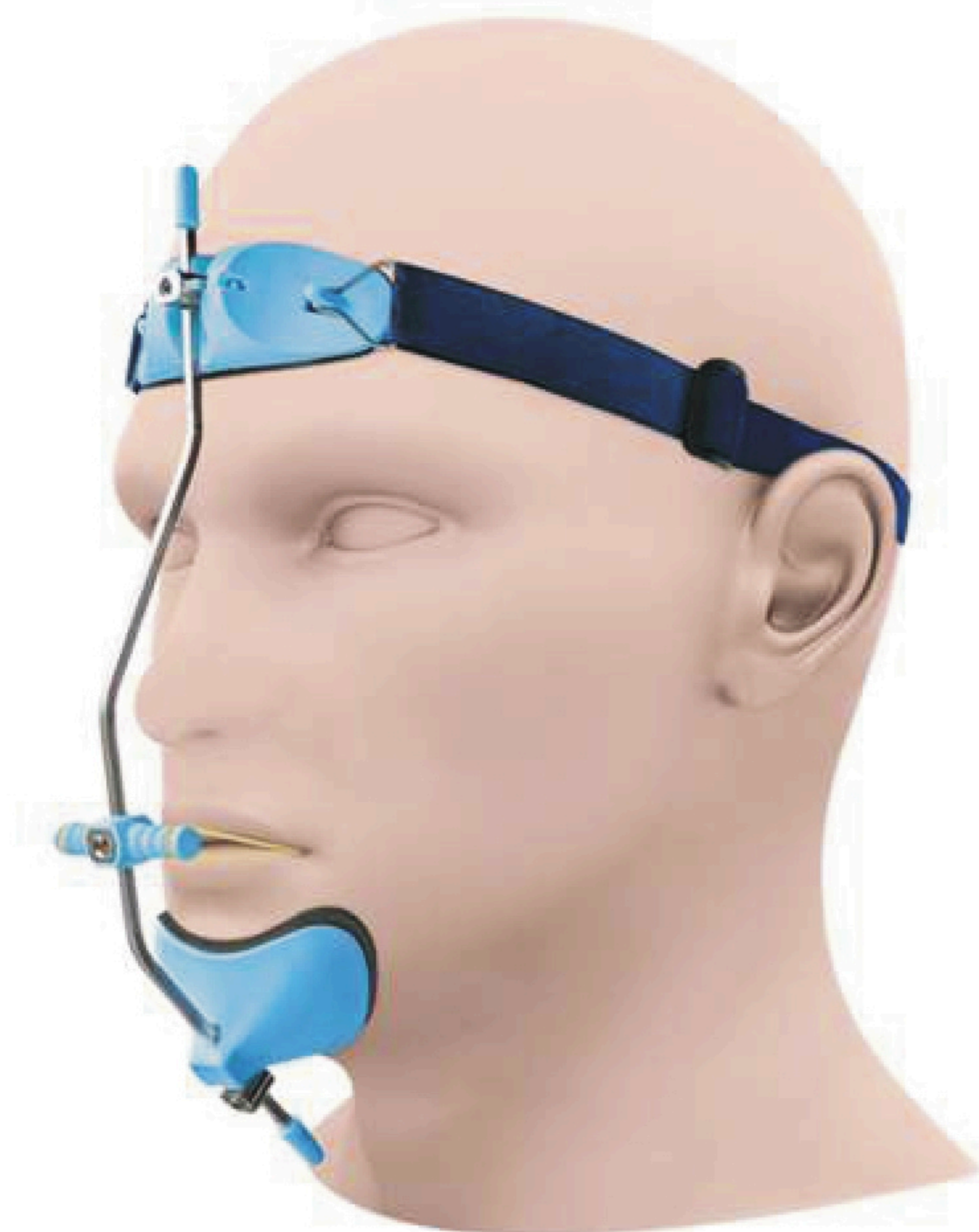
RETAINER BOX

- ▶ Secure Storage for your retainers
- ▶ Durable & Protective design
- ▶ Compact & Travel – Friendly
- ▶ Durable & Protective design



REVERSE-PULL HEADGEAR KIT

- ▶ Convenient universal design for easy adjustments
- ▶ Includes adjustment tools and spare cushion pad
- ▶ Effective for underbite correction
- ▶ Adjustable sizes for optimal comfort



Package List:

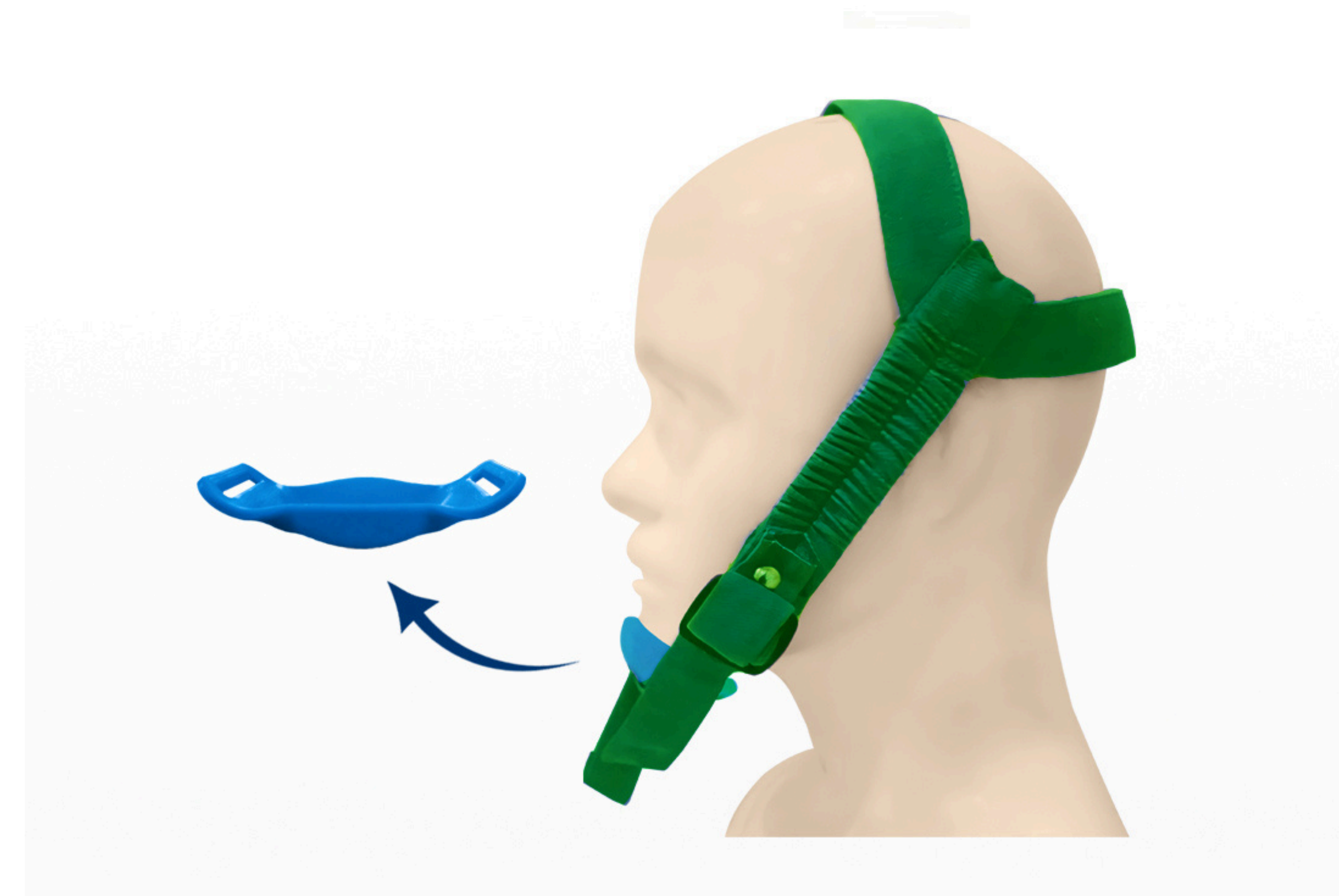
- 1x Orthodontic Face Mask
- 1x Spare Cushion Pad
- 1 x Strap
- 1 x Driver for Adjusting
- 1 x Extraoral Elastic Pack (100 pcs)

Available in 4 colours



HEADGEAR WITH CHINCUP

- ▶ For correction of class III malocclusions
- ▶ Headgear & elastics tractions are fully adaptable.
- ▶ The chincup made with silicon material, it is compactable with any face.



SAFETY RELEASE MODULES



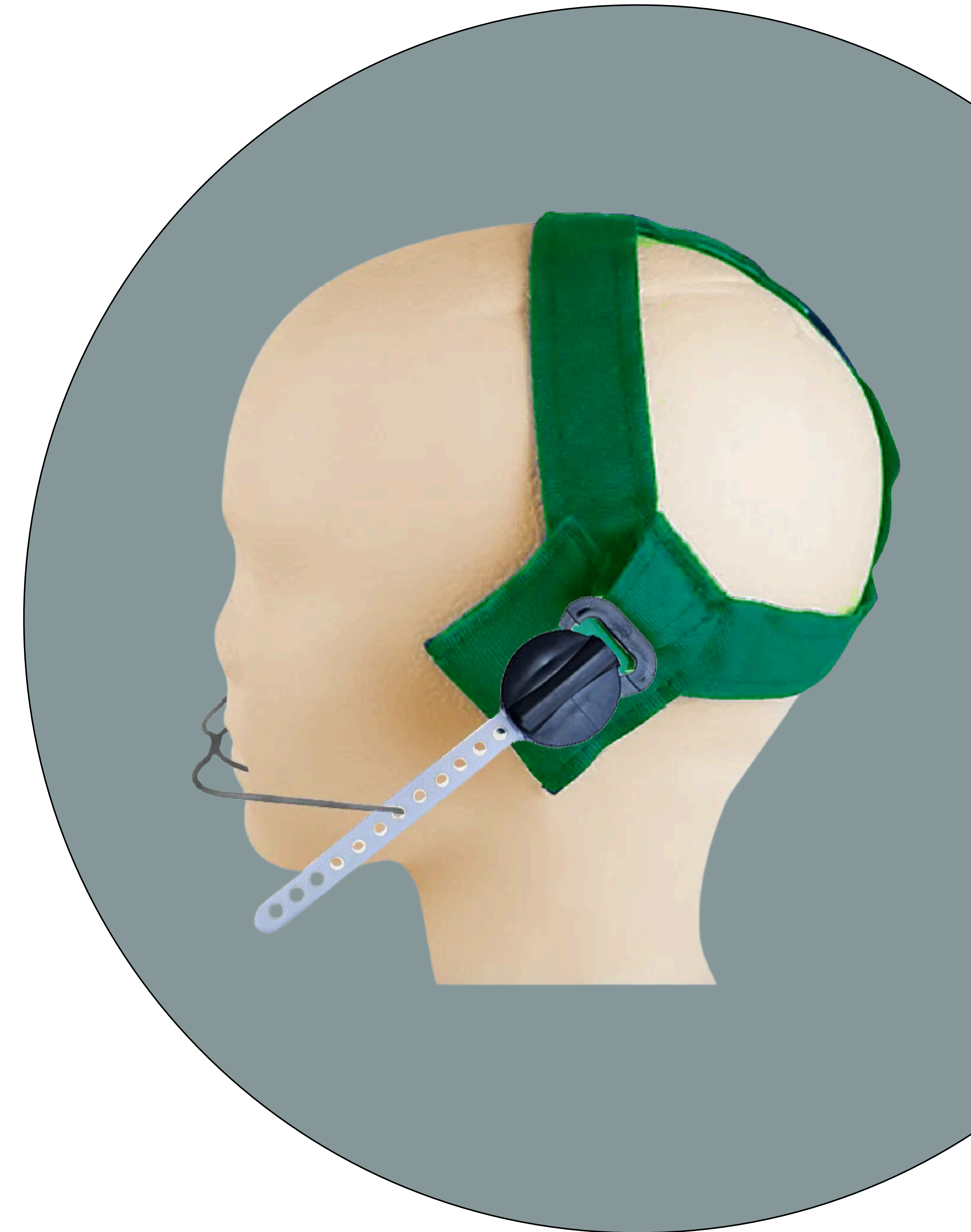
Lite



Heavy



Medium



- Optimal patient comfort with a polymer release clip 12 round holes for easier facebow Placement and progress in force application.
- Attach easily to any neckpads.
- Ensure accurate fit.

AVAILABLE IN 3 FORCES : HEAVY- 750g (BLUE) • MEDIUM - 600g (GREEN) • LIGHT - 450g (WHITE)

Single Pack contains: 1 PAIR

sterilte^x

DENTAL (CHEEK) RETRACTOR (WITHOUT HANDLE)



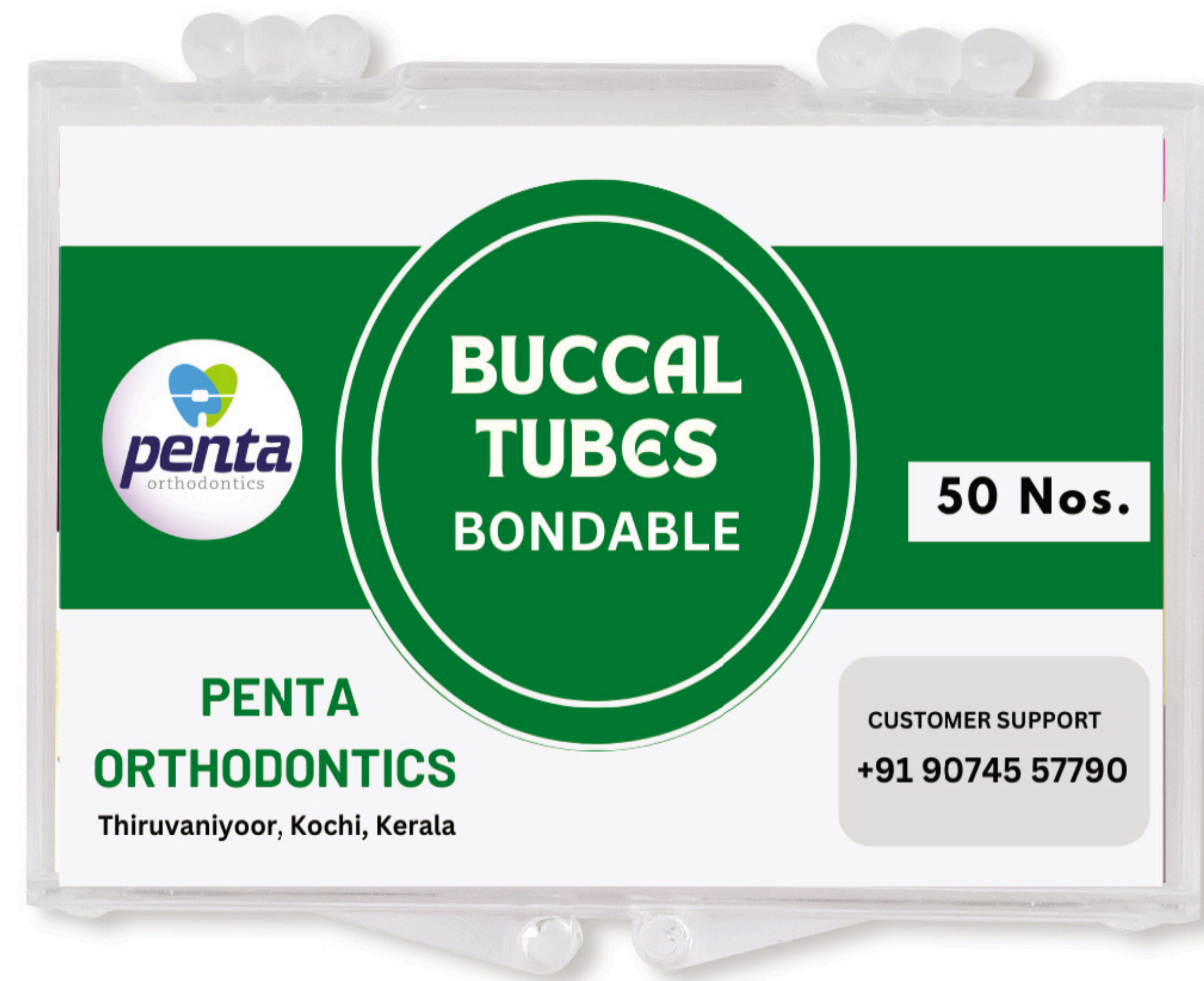
DENTAL (CHEEK) RETRACTOR (WITH HANDLE)



- Made of durable polymer.
- Autoclavable for repeated use (134°C).
- Anatomically Shaped.
- Effective for intra oral photos as well as bonding.



BEGGS BRACKET SYSTEM

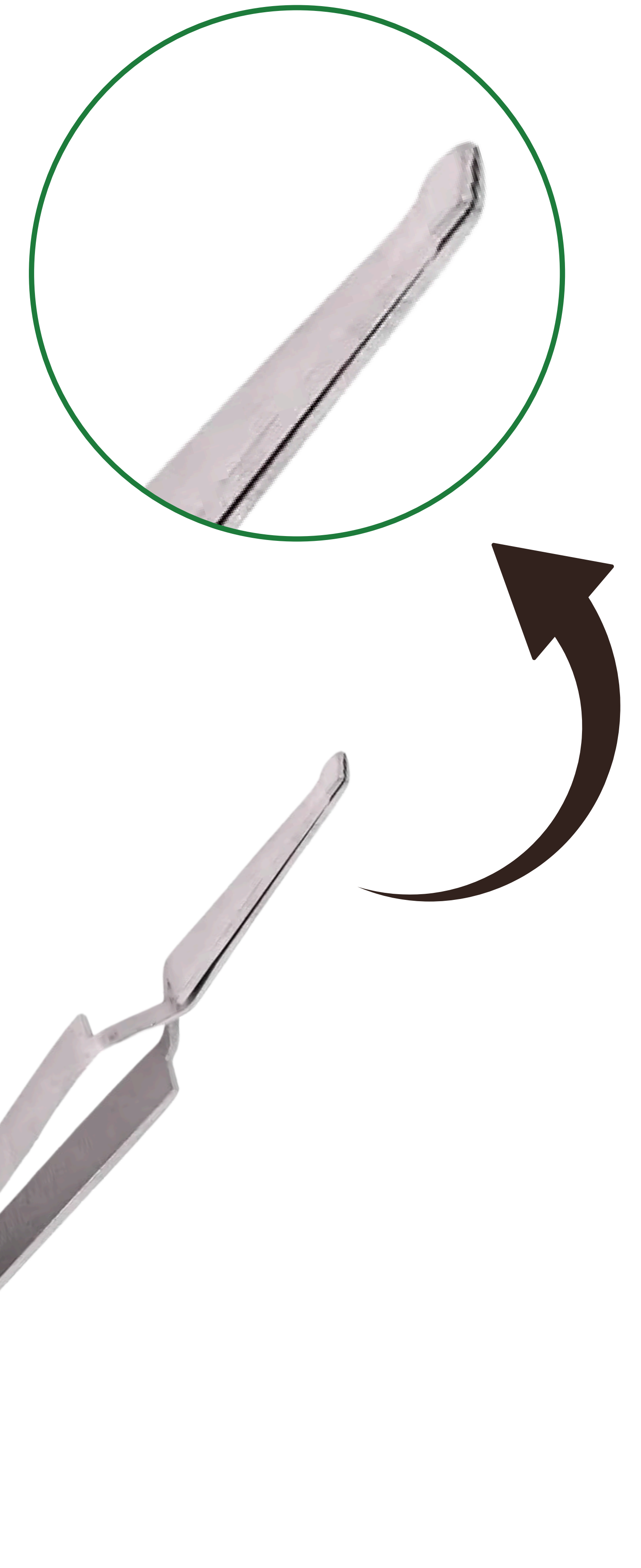


- BEGGS BRACKET Flat
- BEGGS BRACKET Contoured
- LOCK PINS Stage I & II
- BUCCAL TUBES Bondable
- WELDABLE BRACKETS
- BEGGS BRACKET Combi contoured
- BEGGS BRACKET Combi Flat
- BUCCAL TUBES Round weldable
- BAND MATERIAL

ORTHODONTIC BRACKET PLACER / TWEEZER



- Durable Construction
- Self-Holding Design
- Non-Slip Tips
- Ergonomic Handle
- Precise Control
- Efficient Tool



UPCOMING PRODUCTS

HEADGEAR FOR SAFETY MODULES

- ▶ High pull. Used with safety release module
- ▶ Made from hypoallergenic and washable material with comfortable padding.
- ▶ Available in 3 sizes.



NECK PAD FOR SAFETY MODULES

- ▶ Low Pull. use with Safety Modules & materials



UPCOMING PRODUCTS

ORTHODONTIC FACEBOW

- ▶ Our Extraoral Facebows are available in 2 variants: Standard & Preformed Loops
- ▶ Made of high quality stainless steel with laser welded together for maximum durability & comfort

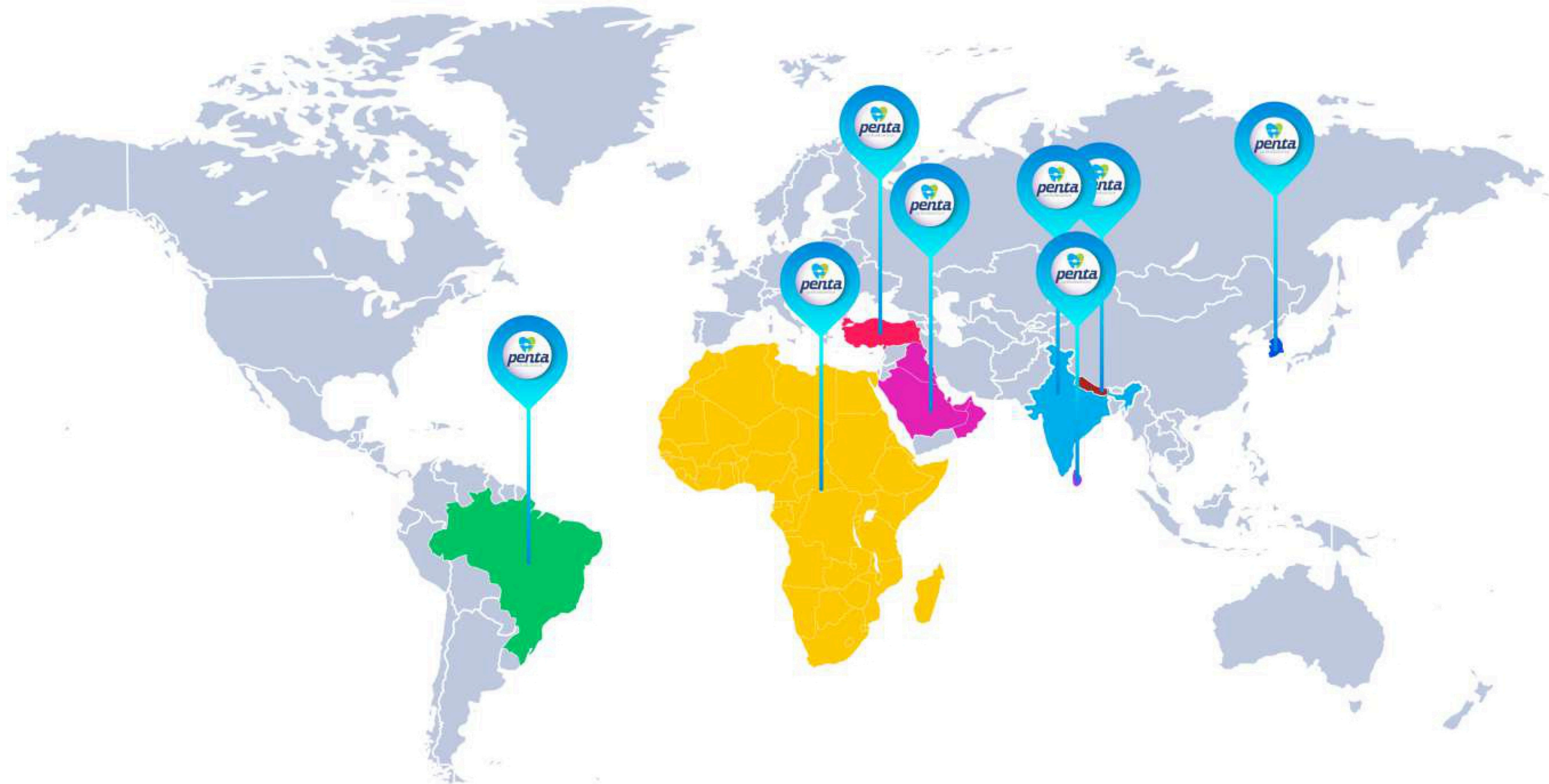


ORTHODONTIC SEPARATOR

- ▶ Create space between teeth.
- ▶ Aid comfortable orthodontic appliance placement.
- ▶ Improve hygiene and alignment accuracy



OUR PRESENCE



- INDIA
- SRI LANKA
- NEPAL
- BRAZIL
- SOUTH KOREA
- TURKEY
- GULF COUNTRIES
- AFRICAN COUNTRIES

Crafting Confidence, One Smile at a Time



9/280, Parampathupady
Thiruvaniyoor, Kochi
Kerala, India, 682308



+91 90745 577 83
+91 90745 577 84
+91 90745 577 87

For Dealerships and
Overseas Enquiries

+91 9074557790



sales@pentaorthodontics.com



www.pentaorthodontics.com

Chat with us on WhatsApp

